

ECT-C series 50Hz Channel Sewage Cutter Pumps



ECT PUMP



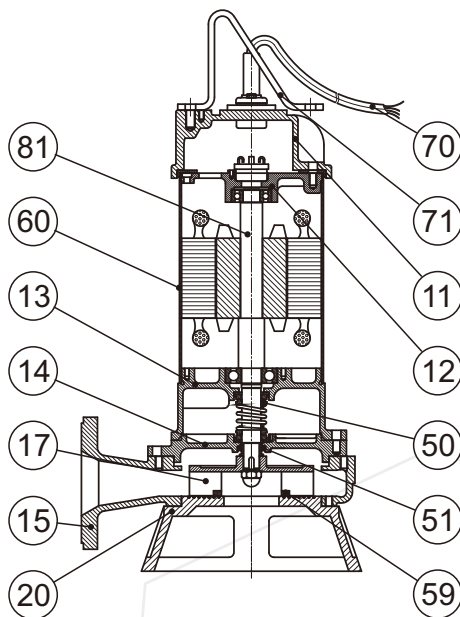
FEATURES

1. Impeller istipped with tungsten cutter to cut off hard objects and prevents impeller from being damaged by hard articles.
2. Epoxy resin cable base, 2p dry motor, c3 deep groove bearing, dual mechanical seals, auto-cut protector.

APPLICATIONS

1. Sewage drainage from hospitals, schools, husbandry, buildings, stock farm, plants, tunnel...etc.
2. Dewatering waste water containing hard objects, like sticks, excrement, tiny gravel ...etc.

MATERIAL CONSTRUCTION



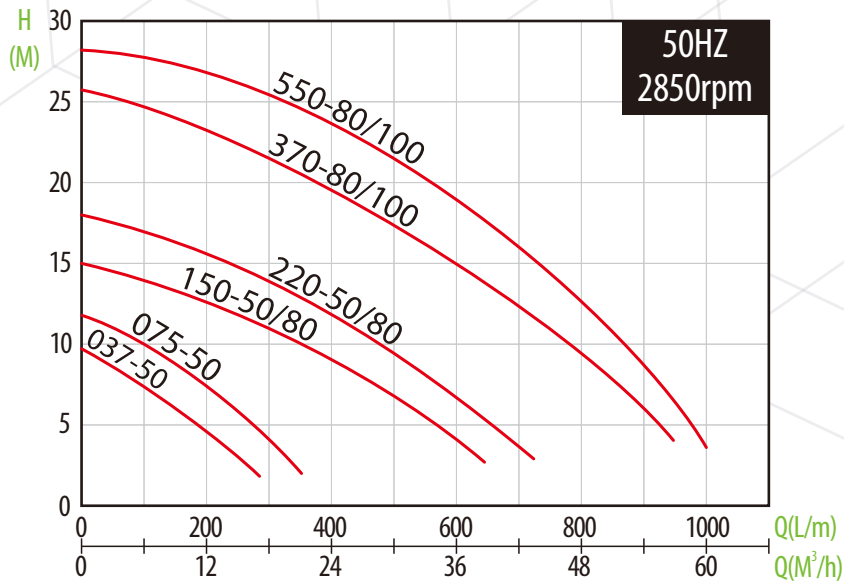
No.	Part	Materials
11	Upper Cover	FC 200
12	Bracket	FC 200
13	Motor Bracket	FC 200
14	Mechanical Seal Bracket	FC 200
15	Volute Casing	FC 200
17	Impeller	FCD 450
20	Bottom Plate	FCD 450
50	Mechanical Seal	CA/ CE
51	Oil seal	NBR
59	Cutter edge	TC
60	Motor Casing	SUS 304
70	Cable	H07RN-F
71	Handle	SS 41
81	Rotor Set	SUS 410



ECT-C series 50Hz Channel Sewage Cutter Pumps

ECT PUMP

PERFORMANCE CURVE

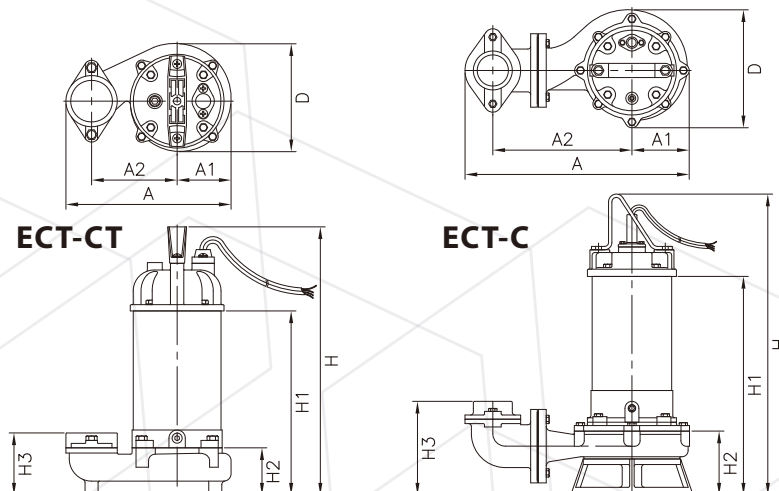


SPECIFICATION

Model	Power HP(kW)	Discharge Inch(mm)	Phase PH	Std. Head M	Std. Flow LPM	Dimension(mm)								Weight KG
						A	A1	A2	D	H	H1	H2	H3	
ECT-CT-1037-50	½ (0.4)	2"(50)	1Ø	6	150	222	73	115	145	372	259	75	95	13
ECT-CT-3037-50			3Ø											
ECT-CT-1075-50	1(0.75)	2"(50)	1Ø	8	180	222	73	115	149	427	303	75	95	18
ECT-CT-3075-50			3Ø											
ECT-C-1075-50	1(0.75)	2"(50)	1Ø	8	180	336	93	193	188	454	330	103	159	18
ECT-C-3075-50			3Ø											
ECT-C-1150-50/80	2(1.5)	2"/3"(50/80)	1Ø	10	350	403	103	250	212	541	393	115	169	33
ECT-C-3150-50/80			3Ø											
ECT-C-3220-50/80	3(2.2)	2"/3"(50/80)	3Ø	12	400	403	103	250	212	561	413	115	169	35
ECT-C-3370-80/100	5(3.7)	3"/4"(80/100)	3Ø	17	500	463	110	260	227	610	445	137	220	55
ECT-C-3550-80/100	7½ (5.5)	3"/4"(80/100)	3Ø	20	550	463	110	260	227	650	485	137	220	61

*Auto Float Switches are available in Single-phase

DIMENSIONS



ECT-C series 50Hz Guide Rail series



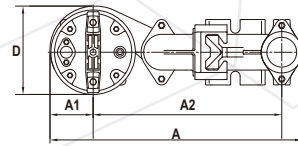
ECT PUMP

Guide Rail Model

Direct Outlet Type

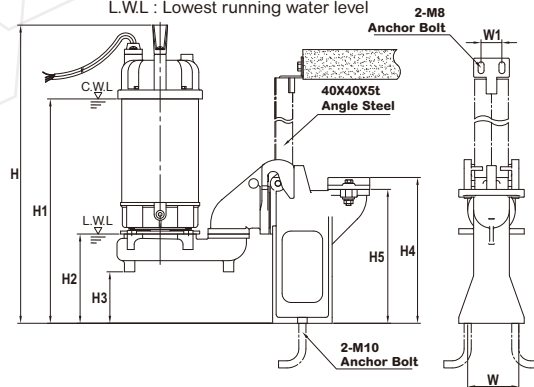
CTS-50(2")

Pump Model	Dimension(mm)											
	A	A1	A2	D	H	H1	H2	H3	H4	H5	W	W1
0.5HP	424	72.5	317	148.5	447	334	150	86.5	245	225	80	35
1HP	424	72.5	317	148.5	501	377	150	86.5	245	225	80	35



C.W.L : Continuous running water level
L.W.L : Lowest running water level

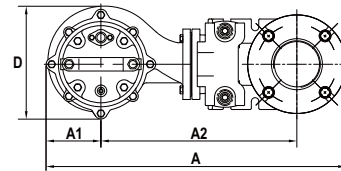
CTS-50(2")



Elbow Outlet Type

CTM-50(2")

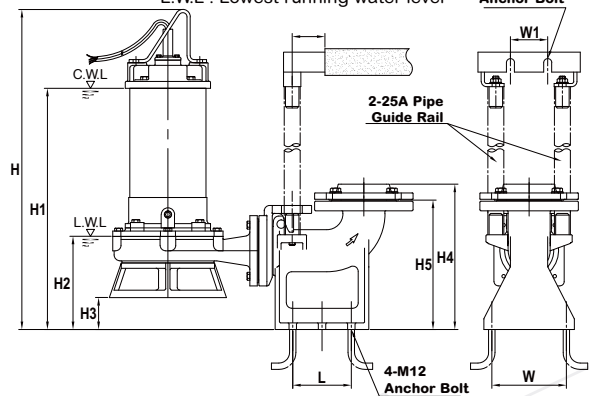
Pump Model	Dimension(mm)												
	A	A1	A2	D	H	H1	H2	H3	H4	H5	L	W	W1
0.5HP	490	86.5	311	173	469	356	172	69.5	275	243	110	140	70
1HP	490	86.5	311	173	523	399	172	69.5	275	243	110	140	70



C.W.L : Continuous running water level
L.W.L : Lowest running water level

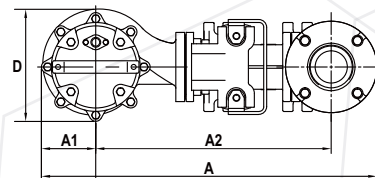
CTM-50(2")

CTM-80(3")



CTM-50(2") & CTM-80(3")

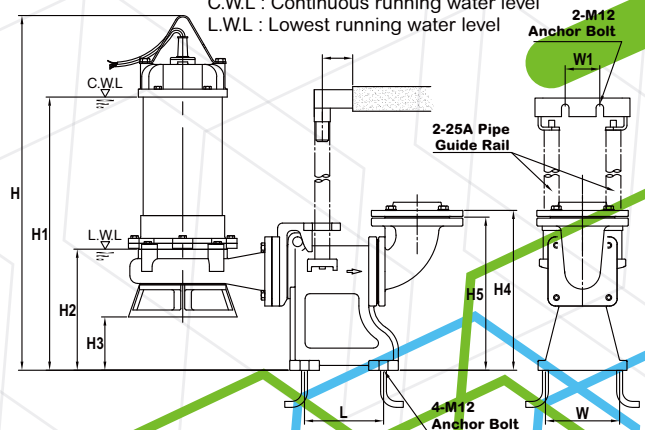
Pump Model	Dimension(mm)												
	A	A1	A2	D	H	H1	H2	H3	H4	H5	L	W	W1
2HP	563.5	368	103	212	601	453	175	60	275	243	110	140	70
3HP	563.5	368	103	212	621	473	175	60	275	243	110	140	70



C.W.L : Continuous running water level
L.W.L : Lowest running water level

CTL-80(3")

CTL-100(4")



CTL-80(3") & CTL-100(4")

Pump Model	Dimension(mm)												
	A	A1	A2	D	H	H1	H2	H3	H4	H5	L	W	W1
5HP	679	476.5	110	227	718	553	245	108	328	310	160	150	70
7.5HP	679	476.5	110	227	758	593	245	108	328	310	160	150	70