

# ECT-SXV series 50HZ Submersible Vortex Sewage Pumps



**ECT PUMP**



## PUMP DATA

Impeller : Vortex Impeller  
Shaft Seal / Mechanical : Double Seals  
Bearing : Double-Shielded Ball Bearing

## OPERATION CONDITIONS

Fluid Temperature : 0 to 35°C(95°F)

## MOTOR DATA

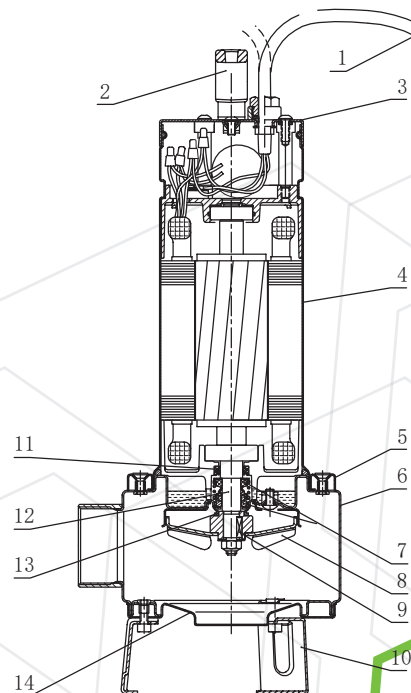
Motor Type : 2 pole, dry type  
Frequency : 50Hz  
Nominal Speed : 2850rpm  
Insulation Class : F class (155°C)  
Enclosure Protection Class : IP68  
Protection Device : Thermal Protector(Single phase)

## APPLICATIONS

1. Basement water removal
2. Waste water drainage
3. Water transfer
4. Sump/effluent handling
5. Dewatering
6. Fish pond & fountain circulation
7. Factory waste water handling

## MATERIAL

Description	Structure	Materials
1	Cable	H07RN-F
2	Handle	AISI 304+Nylon
3	Motor Cover	AISI 304
4	Motor Casing	AISI 304
5	Fixing Ring	AISI 304
6	Pump Body	AISI 304
7	Mechanical seal	Sic/Sic/NBR
8	Impeller	AISI 304
9	Key	AISI 304
10	Pump Casing	AISI 304
11	Oil Seal	NBR
12	Shaft	AISI 304
13	V-type Axial Oil Seal	NBR
14	Suction flange	AISI 304



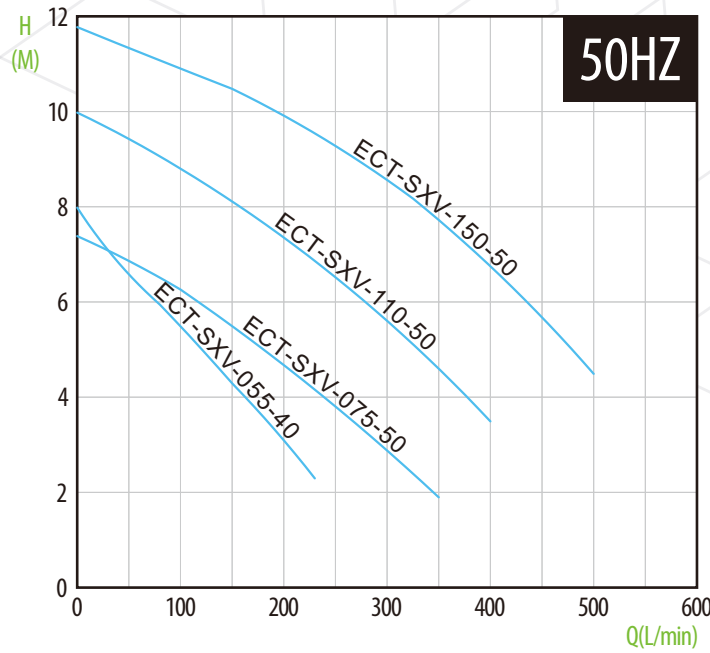


# ECT-SXV series

# Submersible Vortex Sewage Pumps

## ECT PUMP

### PERFORMANCE CURVE



### SPECIFICATION

A : Auto Float Switch

Model	Power HP(kW)	Discharge Inch(mm)	Nominal Current [A]		Capacitort	Std. Head M	Std. Flow LPM	Max. Head M	Max. Flow LPM	Weight KG
			220 - 240V	380 - 415V						
Single Phase & Auto Float Switch										
ECT-SXV(A)-1055-40	0.75 (0.55)	1½" (40)	4.1 - 3.6		15 / 450	7.1	80	9.1	260	11 / 11.5
ECT-SXV(A)-1075-50	1 (0.75)	2" (50)	5.5 - 5.1		22 / 450	7.1	100	7.7	400	14 / 14.5
ECT-SXV(A)-1110-50	1.5 (1.1)	2" (50)	6.8 - 6.2		30 / 450	8.6	100	9.1	450	16 / 16.5

Model	Power HP(kW)	Discharge Inch(mm)	Nominal Current [A]		Std. Head M	Std. Flow LPM	Max. Head M	Max. Flow LPM	Weight KG	
			220 - 240V	380 - 415V						
Three Phase										
ECT-SXV-3055-40	0.75 (0.55)	1½" (40)	3.1 - 2.9		1.8 - 1.6	7.1	80	9.1	260	11
ECT-SXV-3075-50	1 (0.75)	2" (50)	4.5 - 4.1		2.6 - 2.4	7.1	100	7.7	400	12
ECT-SXV-3110-50	1.5 (1.1)	2" (50)	5.2 - 4.8		3.0 - 2.7	8.6	100	9.1	450	14
ECT-SXV-3150-50	2 (1.5)	2" (50)	6.4 - 5.9		3.7 - 3.4	10.2	150	11.0	550	16

### DIMENSIONS

Model	Discharge(mm)					Solid Passage (mm)	Cable	
	C	H	H1	H2	H3		H07 RN-F	M
ECT-SXV(A)-1055-40	193	403	88	486	185	35(50)	3G1.0mm <sup>2</sup>	5(10)
ECT-SXV-3055-40	193	403	88	-	-	50	4G1.0mm <sup>2</sup>	5
ECT-SXV(A)-1075-50	198	486	111.5	566	268	35	3G1.0mm <sup>2</sup>	10
ECT-SXV-3075-50	198	439	111.5	-	-	50	4G1.0mm <sup>2</sup>	10
ECT-SXV(A)-1110-50	198	486	111.5	566	268	50	3G1.5mm <sup>2</sup>	10
ECT-SXV-3110-50	198	486	111.5	-	-	50	4G1.5mm <sup>2</sup>	10
ECT-SXV-3150-50	198	486	111.5	566	-	50	4G1.5mm <sup>2</sup>	10

