

ECT-SXV series 60HZ Submersible Vortex Sewage Pumps



ECT PUMP



PUMP DATA

Impeller : Vortex Impeller
Shaft Seal / Mechanical : Double Seals
Bearing : Double-Shielded Ball Bearing

OPERATION CONDITIONS

Fluid Temperature : 0 to 35°C(95°F)

MOTOR DATA

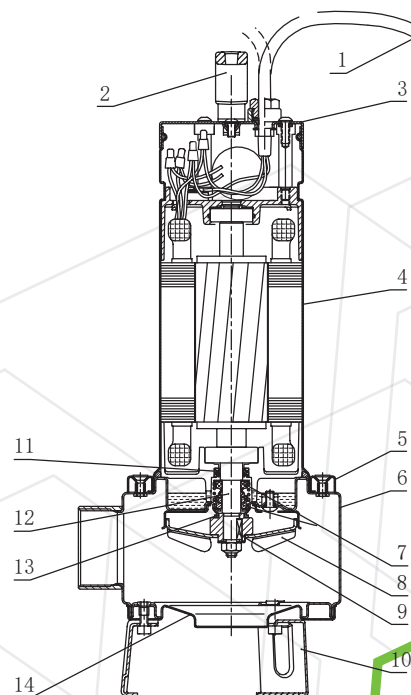
Motor Type : 2 pole, dry type
Frequency : 60Hz
Nominal Speed : 3450rpm
Insulation Class : F class (155°C)
Enclosure Protection Class : Ip68
Protection Device : Thermal Protector(Single phase)

APPLICATIONS

1. Basement water removal
2. Waste water drainage
3. Water transfer
4. Sump/effluent handling
5. Dewatering
6. Fish pond & fountain circulation
7. Factory waste water handling

MATERIAL

Description	Structure	Materials
1	Cable	UL
2	Handle	AISI 304+Nylon
3	Motor Cover	AISI 304
4	Motor Casing	AISI 304
5	Fixing Ring	AISI 304
6	Pump Body	AISI 304
7	Mechanical seal	Sic/Sic/NBR
8	Impeller	AISI 304
9	Key	AISI 304
10	Pump Casing	AISI 304
11	Oil Seal	NBR
12	Shaft	AISI 304
13	V-type Axial Oil Seal	NBR
14	Suction flange	AISI 304



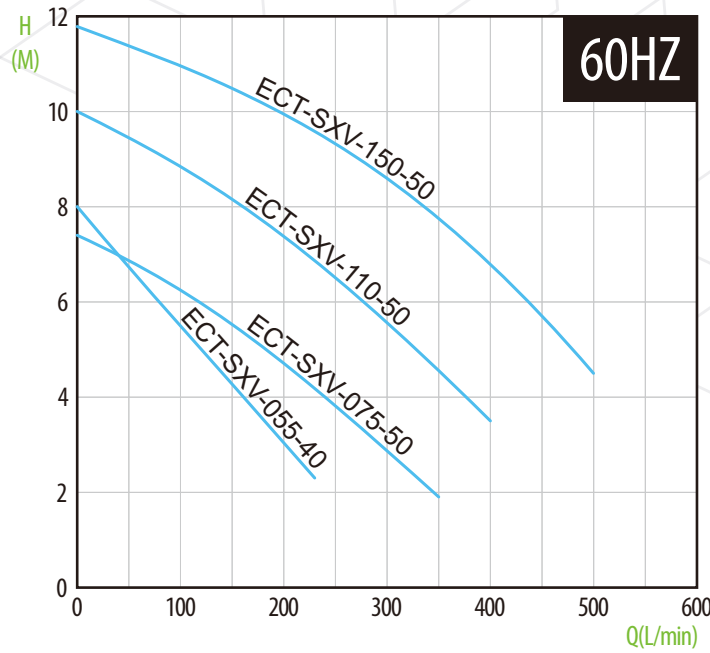


ECT-SXV series

Submersible Vortex Sewage Pumps

ECT PUMP

PERFORMANCE CURVE



SPECIFICATION

A : Auto Float Switch

Model	Power HP(kW)	Discharge Inch(mm)	Nominal Current [A]		Capacitort		Std. Head M	Std. Flow LPM	Max. Head M	Max. Flow LPM	Weight KG
			110 - 127V	220 - 230V	110 - 127V UF / V	220 - 230V UF / V					
Single Phase & Auto Float Switch											
ECT-SXV(A)-1055-40	0.75 (0.55)	1½" (40)	8.8 - 8.0	4.7 - 4.5	20 / 350	20 / 450	5.9	80	8.0	230	11 / 11.5
ECT-SXV(A)-1075-50	1 (0.75)	2" (50)	11.0 - 10.3	5.7 - 5.3	35 / 350	22 / 450	6.3	100	7.4	350	14 / 14.5
ECT-SXV(A)-1110-50	1.5 (1.1)	2" (50)	-	8.0 - 7.7	-	30 / 450	8.8	100	10.0	400	16 / 16.5

Model	Power HP(kW)	Discharge Inch(mm)	Nominal Current [A]			Std. Head M	Std. Flow LPM	Max. Head M	Max. Flow LPM	Weight KG
			220 - 230V	380 - 440V	460 - 480V					
Three Phase										
ECT-SXV-3055-40	0.75 (0.55)	1½" (40)	2.8 - 2.6	1.5 - 1.3	1.2 - 1.0	5.9	80	8.0	230	11
ECT-SXV-3075-50	1 (0.75)	2" (50)	4.3 - 4.1	2.5 - 2.4	1.8 - 1.6	6.6	100	7.4	350	12
ECT-SXV-3110-50	1.5 (1.1)	2" (50)	5.0 - 4.8	2.9 - 2.8	2.3 - 2.1	8.8	100	10.0	400	14
ECT-SXV-3150-50	2 (1.5)	2" (50)	6.2 - 5.9	3.6 - 3.4	2.9 - 2.7	10.5	150	11.8	500	16

DIMENSIONS

Model	Discharge(mm)					Solid Passage (mm)	Cable	
	C	H	H1	H2	H3		UL	M
ECT-SXV(A)-1055-40	193	403	88	486	185	35(50)	16AWGx3C	5(10)
ECT-SXV-3055-40	193	403	88	-	-	50	16AWGx4C	5
ECT-SXV(A)-1075-50	198	486	111.5	566	268	35	16AWGx3C	10
ECT-SXV-3075-50	198	439	111.5	-	-	50	16AWGx4C	10
ECT-SXV(A)-1110-50	198	486	111.5	566	268	50	14AWGx3C	10
ECT-SXV-3110-50	198	486	111.5	-	-	50	14AWGx4C	10
ECT-SXV-3150-50	198	486	111.5	566	-	50	14AWGx4C	10

