

ECT-X1 series 60Hz

Submersible Drainage Pumps



ECT PUMP



ECT-X1A

ECT-X1S

APPLICATIONS

1. Domestic drainage
2. Grey water drainage
3. Koi pond
4. Light waste water discharge
5. Hydro-sanitary
6. Fountain and landscape
7. Drainage pumping
8. Livestocks
9. Emergencies flooding pumping

Motor Data

1. Motor Type : 2 pole, dry type
2. Frequency : 60Hz
3. Nominal Speed : 3450 rpm
4. Insulation Class : F class (155°C)

Operating Conditions

1. Fluid Temperature : 0 to 50°C(0-122°F)
2. MAX.depth : Maximum 5M

MATERIAL CONSTRUCTION

No.	Part	Materials
1	Cable	STOW_UL
2	Float switch	Plastic
3	Handle	NY66+G30
4	Motor Cover	AISI 304
5	Motor housing	AISI 304
6	Oil Seal	NBR
7	Mechanical seal	Carbon Graphite Ceramic / NBR / 304
8	Shaft	AISI 410
9	Pump housing	AISI 304
10	Impeller	AISI 304
11	Pump casing	AISI 304
12	Strainer	AISI 304
13	Spring washer	AISI 304
14	Hex Domed Nuts	AISI 304

FEATURE

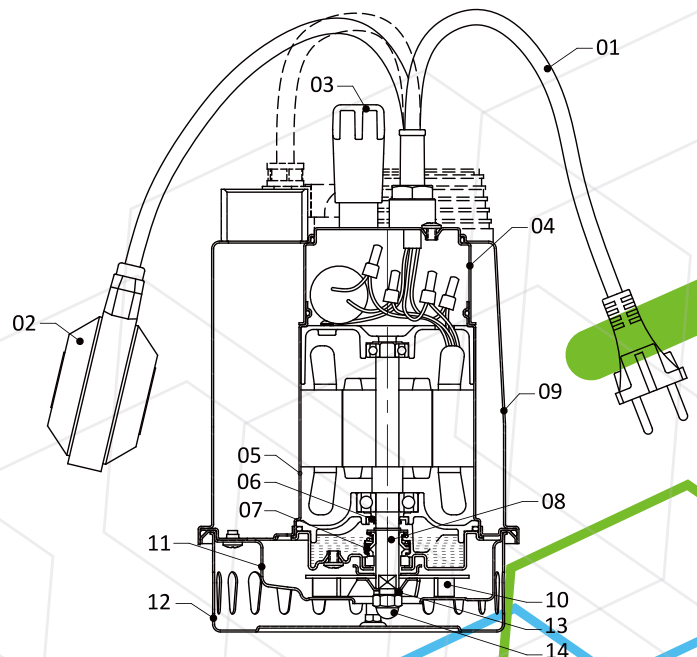
Compact design with Top Discharge Outlet reduces space usage for installation in small manholes, for use in domestic, installations and small featured works. Two different types of lever sensors :

- Mechanical activated float switch with cable extender (A)
- Vertical Mechanical activated Float Switch with casement (S)

Top discharged cools and removes heat from the motor through the outlet. It allows these pumps to be used even when only partially submerged. Every model undergoes hydrostatic testing for leakage from the casing and mechanical seals.

Pump Data

1. Enclosure Protection Class : IP 68
2. Protection Device : Thermal Protector (Single phase)
3. Insulation Class : F class (155°C)
4. Bearing : Double sealed with steel cage
5. Mechanical seal : unbalance single mechanical seal bath in oil with spring type oil seal



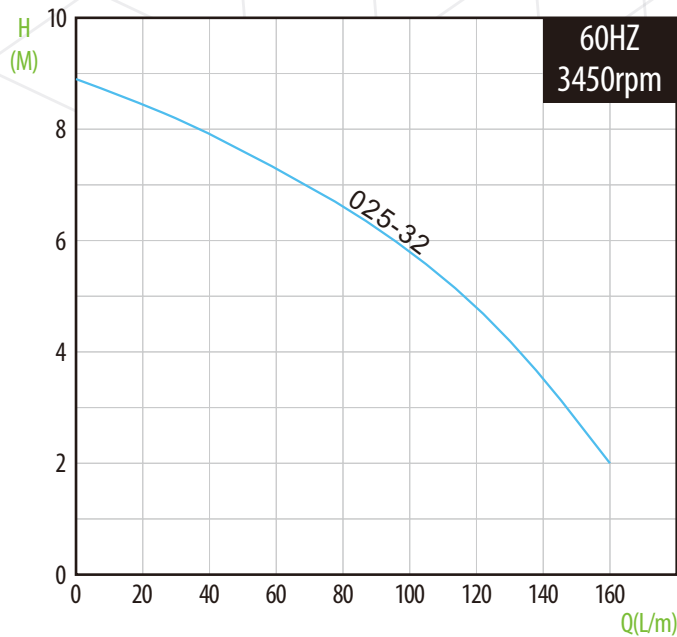


ECT-X1 series

Submersible Drainage Pumps

ECT PUMP

PERFORMANCE CURVE



SPECIFICATION

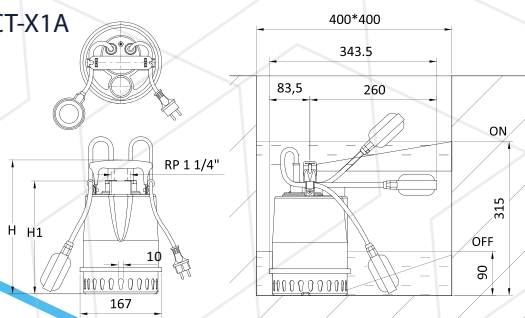
Model	Power HP(kW)	Discharge Inch(mm)	Nominal Current [A]		Capacitort		Std. Head M	Std. Flow LPM	Max. Head M	Max. Flow LPM	Weight KG
			110 - 127V	220 - 230V	110-127V UF / V	220-230V UF / V					
Single Phase : A=Float switch & S=Vertical level switch											
ECT-X1-1025-32	0.33 (0.25)	1 1/4" (32)	4.6 - 4.0	2.1 - 2.0	20 / 250	6.3 / 450	6.5	85	8.7	160	5.4
ECT-X1A-1025-32	0.33 (0.25)	1 1/4" (32)	4.6 - 4.0	2.1 - 2.0	20 / 250	6.3 / 450	6.5	85	8.7	160	5.7
ECT-X1S-1025-32	0.33 (0.25)	1 1/4" (32)	4.6 - 4.0	2.1 - 2.0	20 / 250	6.3 / 450	6.5	85	8.7	160	5.8

Model	Power HP(kW)	Discharge Inch(mm)	Nominal Current [A]			Std. Head M	Std. Flow LPM	Max. Head M	Max. Flow LPM	Weight KG
			220 - 230V	380 - 440V	460 - 480V					
Three Phase										
ECT-X1-3025-32	0.33 (0.25)	1 1/4" (32)	1.4 - 1.3	0.7 - 0.6	0.6 - 0.5	6.5	85	8.7	160	5.4

DIMENSIONS

Model	Discharge(mm)		Solid Passage (mm)	Cable	
	H	H1		UL	M
ECT-X1-1025-32	274	231	10	18AWGx3C	10
ECT-X1A-1025-32	274	231	10	18AWGx3C	10
ECT-X1S-1025-32	274	231	10	18AWGx3C	10
ECT-X1-3025-32	274	231	10	18AWGx4C	10

ECT-X1A



ECT-X1S

